

## JAL-KR6-OV2710 V1.0

OmniVision OV2710 DVP Parallel Schnittstelle Fixer Fokus 2MP M12 Kameramodul



<b>Kameramodul Nr.</b>	<b>JAL-KR6-OV2710 V1.0</b>
<b>Bildsensor</b>	OV2710
<b>EFL</b>	3.2 mm
<b>F.NO</b>	2.5
<b>Pixel</b>	1920 x 1080
<b>Blickwinkel</b>	160°
<b>Linsentyp</b>	1/2.7 Zoll
<b>Objektivabmessungen</b>	16.00 x 16.00 x 16.90 mm
<b>Modulgröße</b>	49.00 x 16.00 mm
<b>Modultyp</b>	Fixer Fokus
<b>Schnittstelle</b>	DVP Parallel

**Gegenstecker Teile-Nr. FH12A-24S-0.5SH**



Gegenstecker auf der Hauptplatine. Separat erhältlich.



# OV2710-1E full HD (1080p) product brief



## OmniVision's True 1080p High Definition (HD) Video Image Sensor



available in  
a lead-free  
package

The OV2710-1E is a true full HD (1080p) CMOS image sensor designed specifically to deliver high-end HD video to digital video camcorders, notebooks, PC webcam, security and other mobile applications. The 1/2.7-inch OV2710-1E addresses the fast growing demand for affordable, HD-quality digital video solutions for video conferencing and recording.

The OV2710-1E is among the very first no-compromise full HD (1080p) sensors available on the market, meaning it offers HD video format with a display resolution of 1920 x 1080 pixels, operating at 30 frames per second. Built with OmniVision's proprietary 3  $\mu$ m OmniPixel3-HS™ high sensitivity pixel technology, the OV2710-1E delivers low-light sensitivity of 3700 mV/lux-sec, S/N ratio of 40 dB, and

a peak dynamic range of 69 dB, enabling cameras to operate in virtually every lighting condition from bright daylight to nearly complete darkness below 15 lux.

The OV2710-1E supports multiple platform architectures and controllers with both parallel and MIPI interfaces. By allowing system designers to leverage the same opto-electrical design across various products and multiple market segments, the OV2710-1E significantly reduces product development time. OmniVision's OmniPixel3-HS pixel technology has already been proven in high quality webcam/video applications and is now available in 1080p full HD in the OV2710-1E.

Find out more at [www.ovt.com](http://www.ovt.com).



OmniVision

## Applications

- Notebooks
- PC Webcams
- Camcorders
- Security
- Digital Still Cameras
- Telepresence
- Portable Media Players

## Product Features

- programmable controls: gain, exposure, frame rate, image size, horizontal mirror, vertical flip, cropping, windowing, and panning
- automatic image control functions:
  - automatic exposure (AEC)
  - automatic gain control (AGC)
  - automatic white balance (AWB)
  - automatic black level calibration (ABLC)
- serial camera control bus (SCCB)
- lens correction (LENC)
- defect pixel correction (DPC)
- support for digital video port (DVP) parallel output interface
- integrated auto focus filter
- support for one lane MIPI interface (up to 800 Mbps)
- support for 8-/10-bit RAW RGB output format
- support for image sizes:
  - 1080p at 30 fps
  - cropped 720p at 60 fps
  - VGA at 120 fps
- support for black sun cancellation
- embedded one-time programmable (OTP) memory
- on-chip phase lock loop (PLL)
- built-in 1.5V regulator for core

# OV2710-1E



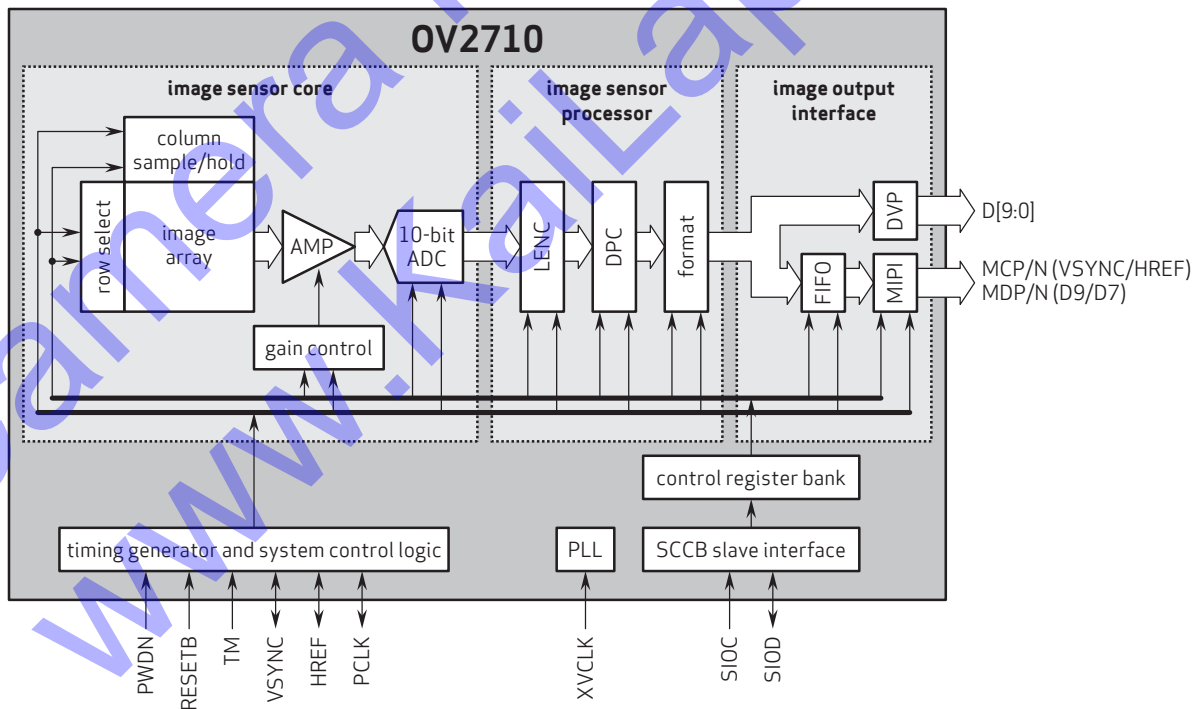
## Ordering Information

- OV02710-A68A-1E  
(color, lead-free, 68-pin CSP3)

## Product Specifications

- active array size: 1920 x 1080
- power supply:
  - analog: 3.0 - 3.6V (3.3V typical)
  - core: 1.425 - 1.575V (1.5V typical)
  - I/O: 1.7 - 3.6V (1.8V typical)
- power requirements:
  - active: 350 mW
  - power down: 70  $\mu$ A
- temperature range:
  - operating: -30°C to +85°C junction temperature
  - stable image: 0°C to +65°C junction temperature
- output interfaces: 10-bit parallel/one lane MIPI
- output formats: 10-bit RAW RGB
- lens size: 1/2.7"
- lens chief ray angle: 23.6°
- input clock frequency: 6 - 27 MHz
- scan mode: progressive
- maximum image transfer rate:
  - 1080p: 30 fps
  - cropped 720p: 60 fps
  - VGA: 120 fps
  - QVGA: 240 fps
- sensitivity: 3700 mV/lux-sec
- shutter: rolling
- max S/N ratio: 40 dB
- dynamic range: 69 dB @ 8x gain
- maximum exposure interval: 1096 tline
- pixel size: 3  $\mu$ m x 3  $\mu$ m
- dark current: 20 mV/sec @ 60°C junction temperature
- image area: 5856  $\mu$ m x 3276  $\mu$ m
- package dimensions: 7465  $\mu$ m x 5865  $\mu$ m

## Functional Block Diagram



4275 Burton Drive  
Santa Clara, CA 95054  
USA

Tel: + 1 408 567 3000  
Fax: + 1 408 567 3001  
www.ovt.com

OmniVision reserves the right to make changes to their products or to discontinue any product or service without further notice. OmniVision, the OmniVision logo and OmniPixel are registered trademarks of OmniVision Technologies, Inc. OmniPixel3-H5 is a trademark of OmniVision Technologies, Inc. All other trademarks are the property of their respective owners.



OmniVision